

ISO-556B-5

5-Channel Isolated Relay Output Module

- Each channel 1 Form C Relay
- LED Light Activates when Relay is Energized
- Screw pluggable Terminals for Field Wiring

Operating

The ISO 556B5 5-channel relay output board consists of 1 form C relay for efficient switching of loads by programmed controller or dry contact. The relay is energized by closing contact for the appropriate relay command on the terminal block connector. The LED is light when the relay is activated to avoid overloading and isolate your system; this board provides a screw terminal connection.

General specifications

- Protection class open air: IP20
- Protection class enclosed (accessible front): IP40 Self-extinguishing plastic housing UL V0 acc IEC 529
- Terminal: pluggable terminal blocks
Acc IEC 60947-7-1, IEC 60998-1
- Terminal Capacity: 1x4mm² without multicore cable end
1x0.5 to 2.5mm² with/without multicore cable end Mounting
- position: on DIN-rail TS 35 according to EN 50022 Mounting
- position: vertically
- To connect the unit, use appropriate insulated 230VAC cord and appropriate circuit breaker.

Input circuit

- Supply voltage: 230VAC
- Rated consumption: 1.5VA
- Rated frequency for as voltage: 50-60 Hz
- Duty cycle: 100%
- Input: dry contact / 24vac Z1-Z2-Z3-Z4-Z5 / C
- Reset time: 20ms

Display

- Red LED indicates of relay energized.

Output circuit

- Relay: 5 relay C/O
- Rated voltage: 240 VAC
- Switching capacity : 5A / 240VAC / COS φ=1
- Switching capacity DC :3A / 30 VDC
- Max switching capacity: 6A
- Simultaneously switch current: 3A / 240V / COS φ=1
- Mechanical life: 1 x 10⁶ operations
- Electrical life: 1 x 10⁵ operations

Environmental conditions

- Permissible ambient temperature: -20°C....+55°C
- Storage temperature: -25°C....+70°C
- Transport temperature: -25°C....+70°C
- Relative humidity (acc. IEC 721-3-3 CLASS 3K3): 15% to 85%



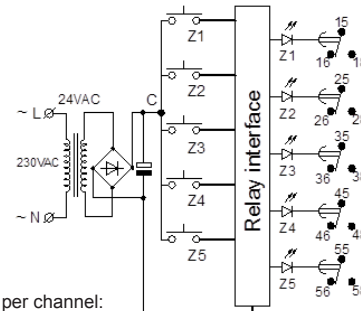
Safety

IEN 61010-1: 2010
EN 61010-1: 2010

Dimensions & weight

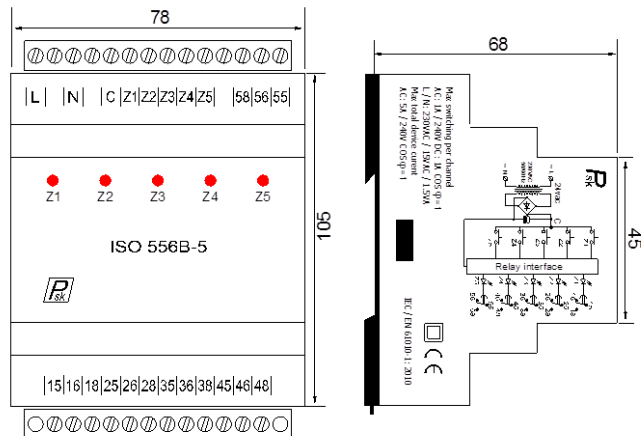
- Width: 78 mm
- Height: 73 mm
- Depth (excl. DIN-profile): 67mm
- Weight: 268 gr

Connections



Max switching per channel:
AC: 5A / 240V cos φ = 1
DC: 3A / 30V
Simultaneously switch current:
AC: 3A / 240V cos φ = 1
Rated consumption: 1.5VA

Dimensions



Ordering information

ISO-556B-5