

# ISO-556B-4

## 4-Channel Isolated Relay Output Module



- 4 Form C Relays
- Each LED Light Activates when Corresponding Relay is Energized
- Screw Terminals for Field Wiring

### Operating

The ISO 556B -4 4-channel relay output boards consists of 4 form C relays for efficient switching of loads by programmed controller or dray contact . The relays are energized by closing contact for the appropriate relay channel on the terminal block connector. Four LED's (one for each relay) light when their associated relay is activated. To avoid overloading and isolate your system, this board provides a screw terminal connection.

### General specifications

- Protection class open air: IP20
- Protection class enclosed (accessible front): IP40
- Self-extinguishing plastic housing UL V0 acc IEC 529
- Terminal : acc IEC 60947-7-1, IEC 60998-1
- Terminal Capacity: 1x4mm<sup>2</sup> without multicore cable end  
1x0.5 to 2.5mm<sup>2</sup> with/without multicore cable end
- Mounting position: on DIN-rail TS 35 according to EN 50022
- Mounting position: vertically

### Input circuit

- Supply voltage: (L) (N) 230VAC
- Supply tolerance: ± 10%
- Rated consumption: 1.5VA
- Rated frequency for as voltage: 50 to 60 Hz
- Duty cycle: 100%

### Display

- Red LED indicates of relay energized.

### Output circuit

- Relay: 4 relay C/O
- Rated voltage: 240 VAC
- Switching capacity AC : 5 VA / 240V COS φ = 1
- Switching capacity DC: 3 A / 30 Vdc
- Max switching capacity ac: 6 A
- Simultaneously switch current : 3A / 240V / COSφ = 1
- Mechanical life: 1 x 10<sup>6</sup> operations
- Electrical life: 1 x 10<sup>5</sup> operations

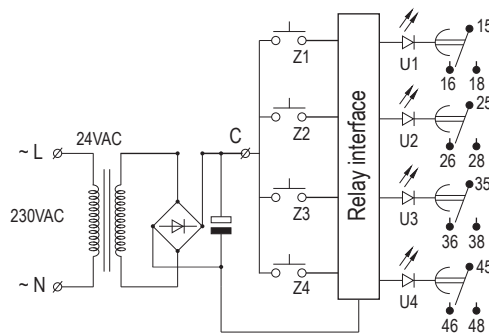
### Environmental conditions

- Permissible ambient temperature: -20°C....+55°C
- Storage temperature: -25°C....+70°C
- Transport temperature: -25°C....+70°C
- Relative humidity (acc. IEC 721-3-3 CLASS 3K3): 15% to 85%

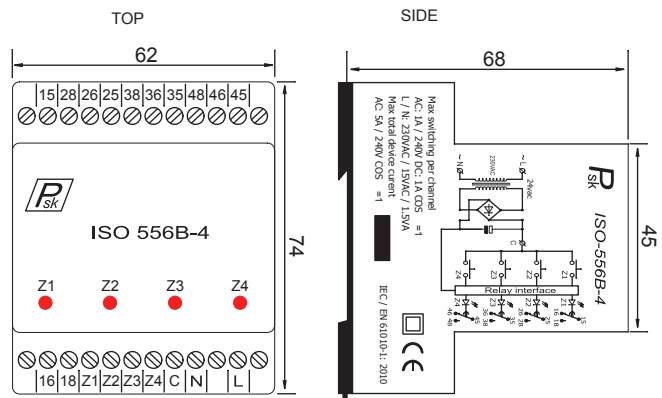
### Dimensions & weight

- Width: 62 mm
- Height: 73 mm
- Depth (excl. DIN-profile): 45 mm
- Weight: 254 gram

### Connections



### Dimensions



### Ordering information

ISO-556B-4