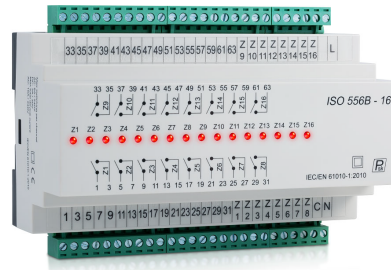


# ISO-556B-16

## 16-Channel Isolated Relay Output Module



- 16 Form C Relays
- Each LED Light Activates when Corresponding Relay is Energized
- Screw Terminals for Field Wiring

### Operating

The ISO 556B -16 16-channel relay output boards consists of 16 form C relays for efficient switching of loads by programmed controller or dray contact . The relays are energized by closing contact for the appropriate relay channel on the terminal block connector. Sixteen LED's (one for each relay) light when their associated relay is activated. To avoid overloading and isolate your system, this board provides a screw terminal connection.

### General specifications

- Protection class open air: IP20
- Self-extinguishing plastic housing UL V0 acc IEC 529
- Terminal : acc IEC 60947-7-1, IEC 60998-1
- Terminal Capacity: 1x4mm<sup>2</sup> without multicore cable end  
1x0.5 to 2.5mm<sup>2</sup> with/without multicore cable end
- Mounting position: on DIN-rail TS 35 according to EN 50022
- Mounting position: vertically

### Input circuit

- Supply voltage: 230VAC
- Supply tolerance: ± 10%
- Rated power consumption: 2.8VA
- Rated frequency for as voltage: 50 to 60 Hz
- Duty cycle: 100%
- Reset time: 20 ms

### Display

- Red LED indicates of relay energized.

### Output circuit

- Relay: 16 relay N/O
- Rated voltage: 240 VAC
- Switching capacity per channel: 2A / 240V / COS φ = 1
- Switching capacity DC: 3A / 30 VDC
- Max switching capacity ac: 2 A
- Max total device current: 5A / 240V / cosφ = 1
- Mechanical life: 1 x 10<sup>6</sup> operations
- Electrical life: 1 x 10<sup>5</sup> operations

### Environmental conditions

- Permissible ambient temperature: -20°C....+55°C
- Storage temperature: -25°C....+70°C
- Transport temperature: -25°C....+70°C
- Relative humidity (acc. IEC 721-3-3 CLASS 3K3): 15% to 85%

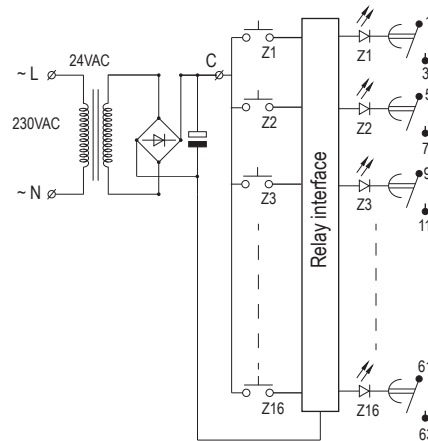
### Safety

- IEN 61010-1: 2010
- EN 61010-1: 2010

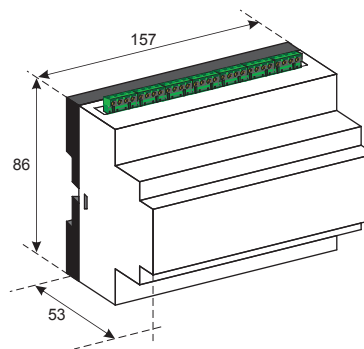
### Dimensions & weight

- Width: 157 mm
- Height: 86 mm
- Depth (excl. DIN-profile): 53 mm
- Weight: 633 gram

### Connections



### Dimensions



### Ordering information

ISO-556B-16