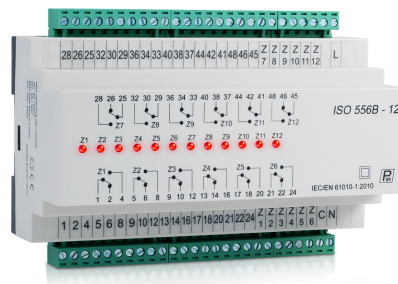


ISO-556B-12

12-Channel Isolated Relay Output Module

- 12 Form C Relays
- Each LED Light Activates when Corresponding Relay is Energized
- Screw Terminals for Field Wiring



General specifications

- Protection class open air: IP20
- Self-extinguishing plastic housing UL V0 acc IEC 529
- Terminal : acc IEC 60947-7-1, IEC 60998-1
- Terminal Capacity: 1x4mm² without multicore cable end
1x0.5 to 2.5mm² with/without multicore cable end
- Mounting position: on DIN-rail TS 35 according to EN 50022
- Mounting position: vertically
- To connect the unit, use appropriate insulated 230VAC cord and appropriate circuit breaker.

Input circuit

- Supply voltage: 230VAC
- Supply tolerance: $\pm 10\%$
- Rated power consumption: 2.8VA
- Rated frequency for as voltage: 50 to 60 Hz
- Duty cycle: 100%
- Reset time: 20 ms

Display

- Red LED indicates of relay energized.

Output circuit

- Relay: 12 relay C/O
- Rated voltage: 240 VAC
- Switching capacity per channel: 2A / 240V / $\text{COS } \varphi = 1$
- Switching capacity DC: 3A / 30 VDC
- Max switching capacity ac: 2 A
- Max total device current: 5A / 240V / $\text{cos } \varphi = 1$
- Mechanical life: 1×10^6 operations
- Electrical life: 1×10^5 operations

Environmental conditions

- Permissible ambient temperature: $-20^{\circ}\text{C} \dots +55^{\circ}\text{C}$
- Storage temperature: $-25^{\circ}\text{C} \dots +70^{\circ}\text{C}$
- Transport temperature: $-25^{\circ}\text{C} \dots +70^{\circ}\text{C}$
- Relative humidity (acc. IEC 721-3-3 CLASS 3K3): 15% to 85%

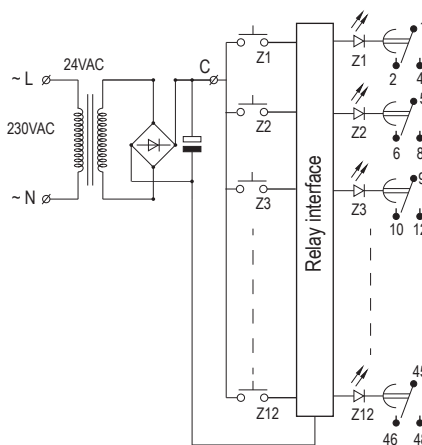
Safety

IEN 61010-1: 2010
EN 61010-1: 2010

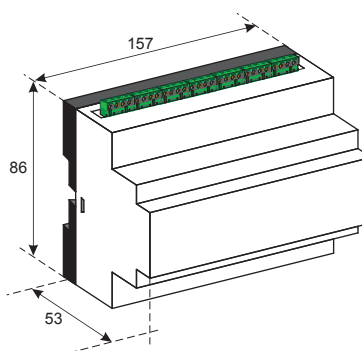
Dimensions & weight

- Width: 157 mm
- Height: 86 mm
- Depth (excl. DIN-profile): 53 mm
- Weight: 600 gram

Connections



Dimensions



Ordering information

ISO-556B-12