



MOD - 7S4A

0-10V Indicator 3.5 digits

General specifications

DISPLAY: 4 digit LED 0.56" (14.2 mm) high brightness.
POWER: wide range power supply options (refer to ordering information)
 Decimal Point selection: from front panel
 Accuracy: $\pm 0.1\%$ of reading ± 1 digit at 25°C
 Stability: ± 50 ppm / °C
 Input voltage protection: 650 VDC
 Conform to standards: IEC 61010-1 Safety requirements
 For measurement, control, and laboratory use, part 1.

CONNECTION:

silver alloy pluggable terminal Shrouded to prevent human contact.
 Terminal: acc IEC 60947-7-1, IEC 60998-1
 Terminal Capacity: 1x4mm without multicore cable end
 1x0.5 to 2.5mm with/without multicore cable end.

MECHANICAL

Self-extinguishing plastic housing, IP40 acc IEC 529
 Mounted: front panel
 IP rating: IP20 acc IEC 529
 Terminal block: 4mm² 12AWG 250VAC
 Box measures: 96x48 mm

AMBIEN CONDITIONS

Operation temperature -20°C ... +55°C
 Storage temperature -25°C ... +70°C
 Transport temperature -25°C ... +70°C
 Relative humidity acc IEC 68-2-6 15% ... 85%
 Vibration resistance 10 to 55 Hz (acc to IEC 68-2-6)
 Wight: 348 gr

Technical Data

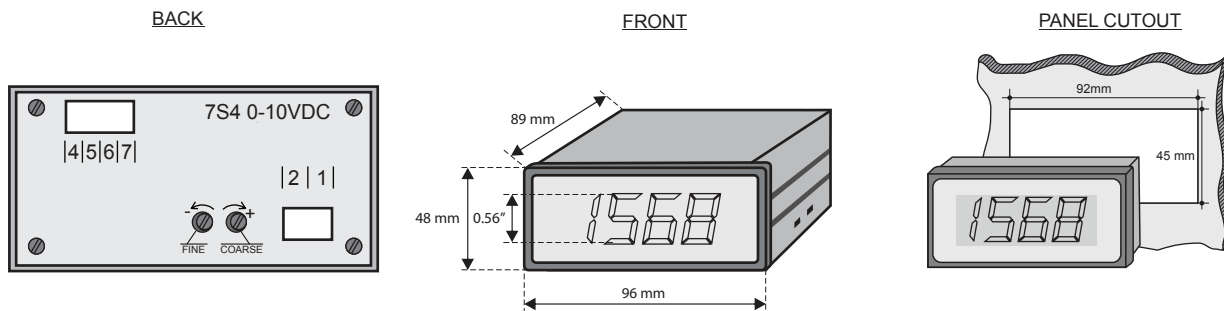
± 1999 (3½) count fowl scale
 Low power requirement
 Wide range power supply potion
 Input voltage protection
 Decimal point selected
 Accuracies are specified at 25°C
 Power consumption: 2.3 VA
 Stability w/Temp ± 50 ppm/°C
 Span up to 2000 counts from 0 to 10 V
 Measuring Rate: 3 s/min
 Change of settings also during operation
 Exchangeable unit symbols
 Fine Adjustment from rear panel
 Coarse Adjustment from rear panel
 Auto Zero
 User define Limit values

Operating instructions

Voltage adjustment

- Voltage adjustment setting upon request.
- Voltage adjustment Can be define by user.
- On back panel you will fine two adjustment screws, fine & coarse.
- To INCREASE: reading turn adjustment screws to right.
- To DECREASE: reading turn adjustment screw to left.

Dimensions



Ordering information

MOD 7S4A	- V	230VAC	60VDC
		110VAC	48VCD
		24VAC	24VDC
			12VDC

MOD - 7S4A

