



# MOD - 10SD

## Temperature Meter PT-100

### General description

The MOD-10S is an advanced, low cost temperature meter is designed for RTD's, both Pt. 0.00385 and 0.00392 curves for 100 Ohm with 3, or 4 wire connections for the highest accuracy .

### Safety summary

All safety regulations, local codes and instructions that appear in this and corresponding literature, or on equipment, must be observed to ensure personal safety and to prevent damage to either the instrument or equipment connected to it. If equipment is used in a manner not specified by the manufacturer, the protection provided by the equipment may be impaired.



The protective conductor terminal is bonded to conductive parts of the equipment for safety purposes and must be connected to an external protective earthing system.

CAUTION: Risk of Danger  
Read complete instructions prior to installation and operation of the unit.

CAUTION: Risk of electric shock.

### Technical Data

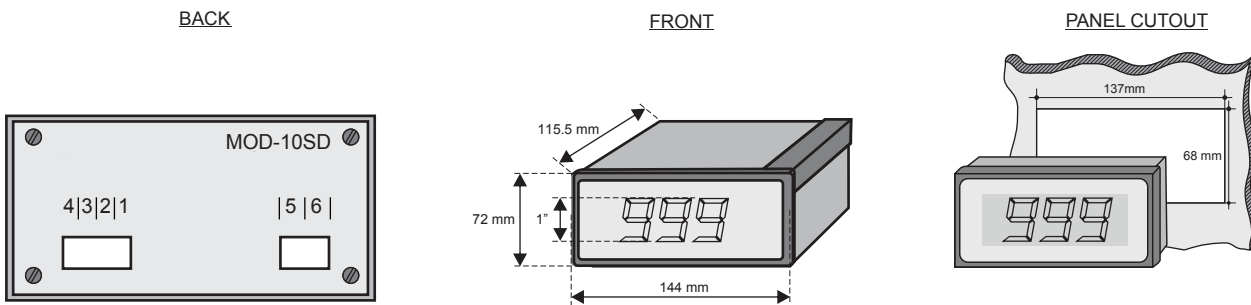
- Accuracy: 0+0.5°C temp; 0.03% reading process
- Resolution: 1° /0.1µV process
- Temperature Stability:
  - (1) RTD: 0.04°C/C
  - (2) Process: 50 ppm/°C
- A/D Conversion: Dual slope
- Reading Rate: 3 samples per second
- Digital Filter: Programmable
- Display: 7 segment LED 0.56" red
- Polarity: Unipolar
- Step Response: 0.7 sec for 99.9%
- RTD Input : PT100 sensor 3 - or 4 wire.

### CONNECTION:

silver alloy pluggable terminal Shrouded to prevent human contact.  
Terminal: acc IEC 60947-7-1, IEC 60998-1  
Terminal Capacity: 1x4mm without multicore cable end  
1x0.5 to 2.5mm with/without multicore cable end

**POWER:** wide range power supply options (refer to ordering information)

### Dimensions



### Ordering information

MOD 10SD - V

230VAC	60VDC
110VAC	48VDC
24VAC	24VDC
	12VDC

### PT-100 Connection

