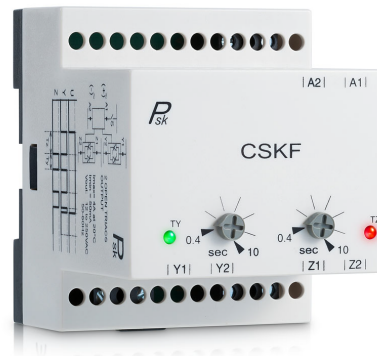


## CSKF

Cyclic pulse first with 2 open thyristor output

On the application of the supply voltage between (A1) – (A2), thyristor Y1/Y2 switches immediately the full supply voltage through to the load connected to (Y2) terminal (max. load 4 A continuous) and time (ty) begins to run (LED green is lights on). On completion of (ty) thyristor Z1/Z2 switches the full supply voltage to the load connected to (Z2) terminal (max. load 4 A continuous) and time (tz) begins to run (LED red turns off). The thyristor outputs continues to operate in the pulse-pause ratio for as long as the input voltage (A1) – (A2) is maintained, removing the input voltage will resets the timer. A small leakage current 2.5 ma passes through the thyristor during the time period. Care should be taken to prevent damage to sensitive devices connected to any of the terminal.



### General specifications

- Supply voltage 240VAC
- Thyristor (Y1) - (Y2) output 12 - 240 Vac/dc 4 A max at 25°C.
- Thyristor (Z1) - (Z2) output 12 - 240 Vac/dc 4 A max at 25°C.
- Time range: 0...30sec each
- 60mm rail mount housing
- Supply voltage variation: + 10% / - 15%
- Frequency: 50 – 60 Hz
- Duty cycle: 100%
- Repeat accuracy: <0.5% (as % of full range)
  - I min = 50Ma
- Thyristor output: I max = 4A I peak = 20A (<5ms)
  - I leakage = 2.5ma~
- Self-extinguishing plastic housing UL V0 acc IEC 529 V0
- Mounting position: on DIN-rail TS 35 according to EN 50022
- Mounting position: vertically
- Terminal : acc IEC 60947-7-1, IEC 60998-1
- Terminal Capacity: 1x4mm<sup>2</sup> without multicore cable end  
1x0.5 to 2.5mm<sup>2</sup> with/without multicore cable end

### Display

- Power on: LED green Indicates of supply voltage
- Relay energized: LED red indicates of relay energized.

### Accuracy

- Base accuracy at min. and max scale: ±1%
- Adjusting accuracy: <5% of max scale value

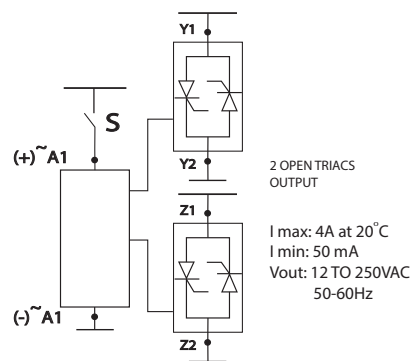
### Environmental conditions

- Permissible ambient temperature: -25°C....+45°C
- Storage temperature: -25°C....+70°C
- Transport temperature: -25°C....+70°C
- Relative humidity (acc. IEC 721-3-3 CLASS 3K3): 15% to 85%

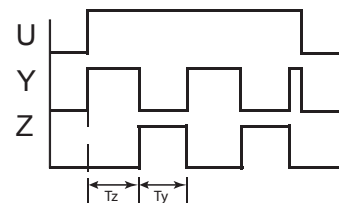
### Dimensions & weight

- Width: 62 mm
- Height: 75 mm
- Depth (excl. DIN-profile): 66 mm
- Weight: 160 gram

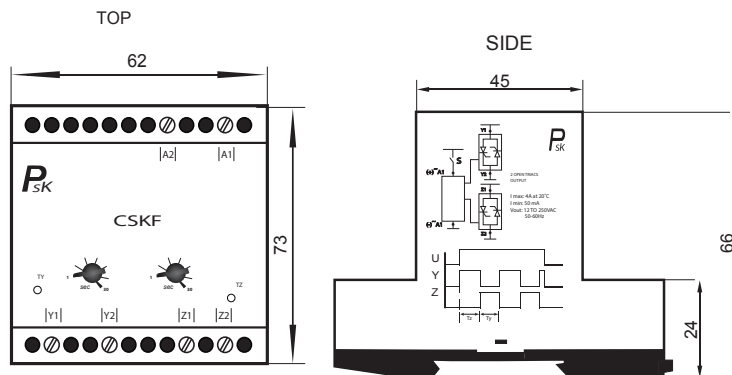
### Connections



### Function



### Dimensions



### Ordering information

CSKF