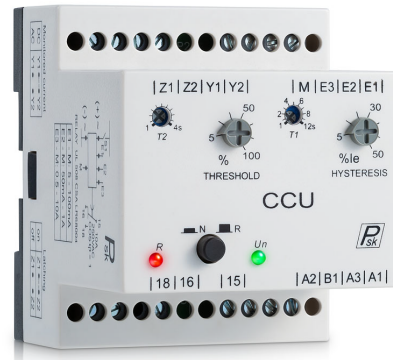


## CCU

### Current control relay AC / DC



- CONTROLS AC AND DC CURRENTS
- 5mA TO 10A MEASUREMENT RANGE
- THRESHOLD ADJUSTMENT
- HYSTERESIS ADJUSTMENT
- NORMAL OR REVERSE RELAY STATUS ADJUSTMENT ON FRONT
- 2 LEDS DISPLAY RELAY STATUS AND POWER SUPPLY
- POWER ON INHIBIT TIME ADJUSTABLE FROM 1 TO 10 SEC (T1).
- TIMING ON UPWARD CROSSING OF THRESHOLD ADJUSTABLE FROM 1 TO 4 s.

### Operating

**1. Control of AC/DC current WITHOUT latching:**  
When the value of the AC or DC current being controlled reaches threshold displayed on the front panel, the output relay changes status at the end of T2 (adjustable between 1 to 4 sec.). The relay immediately returns to its initial status when the current drops to below 5 to 50% of the threshold (hysteresis) or if the power supply is cut. Changing the hysteresis value (via front panel) does not change the value of the preselected threshold.

**2. Control of AC/DC current WITH latching:**  
(Terminals Z1 and Z2 connected)  
When the value of the AC or DC current being controlled reaches the threshold displayed, the output relay changes status at the end of T2 and remains latched in this position. To reset the relay, contact between Z1 and Z2 must be opened or the power supply to the unit must be cut.

### Specifications

- Protection class open air: IP20
- Self-extinguishing plastic housing UL V0 acc IEC 529
- Mounting position: on DIN-rail TS 35 according to EN 50022
- Mounting position: vertically
- Supply voltage: 230VAC, 110VAC, 24VAC 50-60 Hz  
(Galvanic isolation by transformer)  
24 V DC (No galvanic isolation)
- Supply tolerance:  $\pm 10\%$
- Rated power consumption: 2.3 VA
- Hysteresis: adjustable between 5 and 50% of displayed threshold.
- Display accuracy:  $\pm 10\%$  of preselected threshold.
- Repeating accuracy:  $\pm 0.1\%$  with constant parameters
- Power on inhibit timing (T1): 1 to 10 sec  $\pm 30\%$
- Timing on upward crossing of threshold (T2): 1 to 4 sec  $+20\%$  (including response time of the unit itself)
- Power on: LED green (Un) Indicates of supply voltage
- Relay energized: LED red (R) indicates of relay energized
- Terminal: acc IEC 60947-7-1, IEC 60998-1
- Terminal Capacity:  $1 \times 4 \text{mm}^2$  without multicore cable end  
 $1 \times 0.5$  to  $2.5 \text{mm}^2$  with/without multicore cable end

### Output circuit

- Relay: 1 C/O
- Rated voltage: 250 Vac
- Switching capacity ac:  $1000 \text{ VA } (8 \text{ A} / \sqrt{250 \text{ V}}) \text{ COS } = 1$
- Switching capacity dc: 3 A 30 Vdc
- Max switching capacity ac: 10 A
- Mechanical life:  $1 \times 10^6$  operations
- Electrical life at 1000 VA COS =1: 200.000 operations

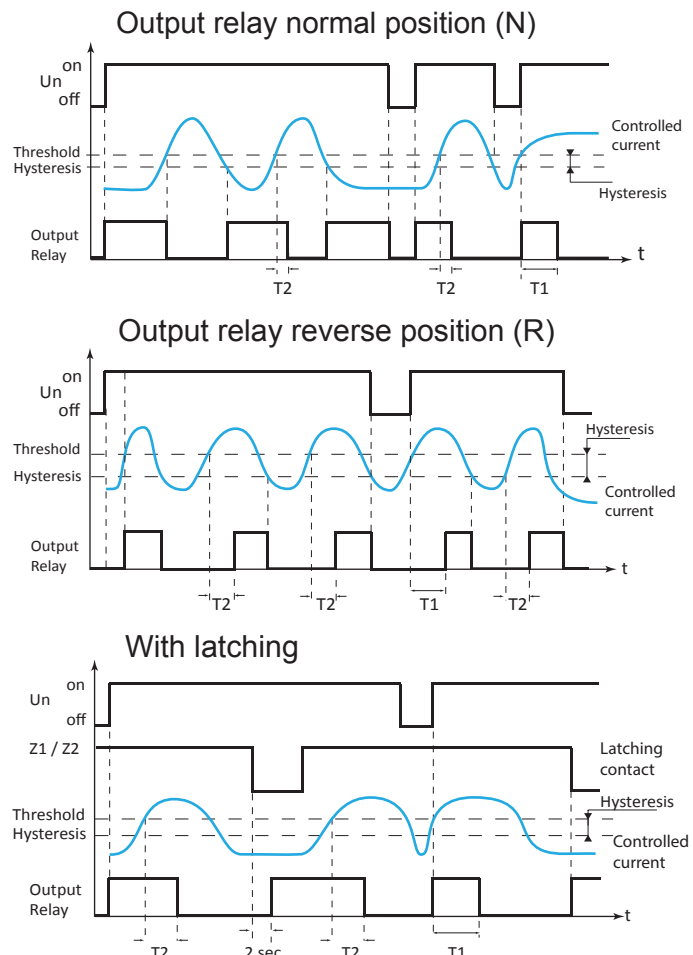
### Environmental conditions

- Permissible ambient temperature:  $-25^\circ\text{C} \dots +55^\circ\text{C}$
- Storage temperature:  $-25^\circ\text{C} \dots +70^\circ\text{C}$
- Transport temperature:  $-25^\circ\text{C} \dots +70^\circ\text{C}$
- Relative humidity (acc. IEC 721-3-3 CLASS 3K3): 15% to 85%
- Vibration resistance (acc. IEC 68-2-6): 10 TO 55 H

### Dimensions & weight

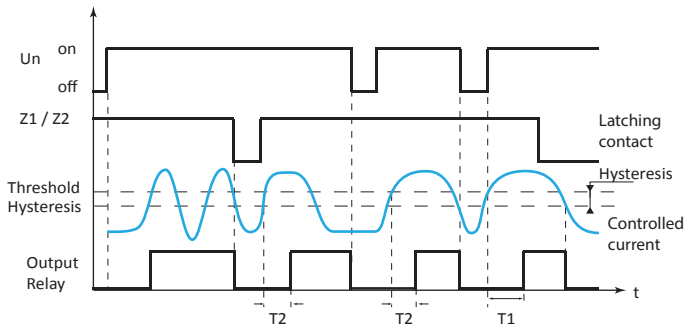
- Width: 62 mm
- Height: 65 mm
- Depth (excl. DIN-profile): 73 mm
- Weight: 238 gram

### Function



**Function**

**With latching**

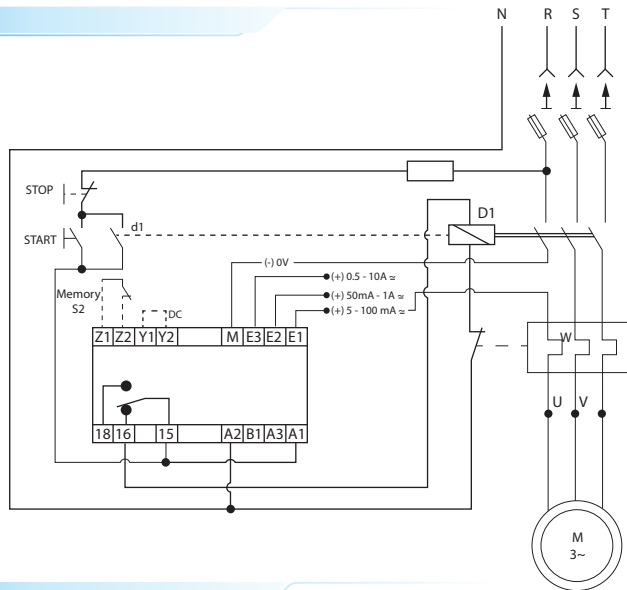


**Measurement ranges ... Permitted overloads**

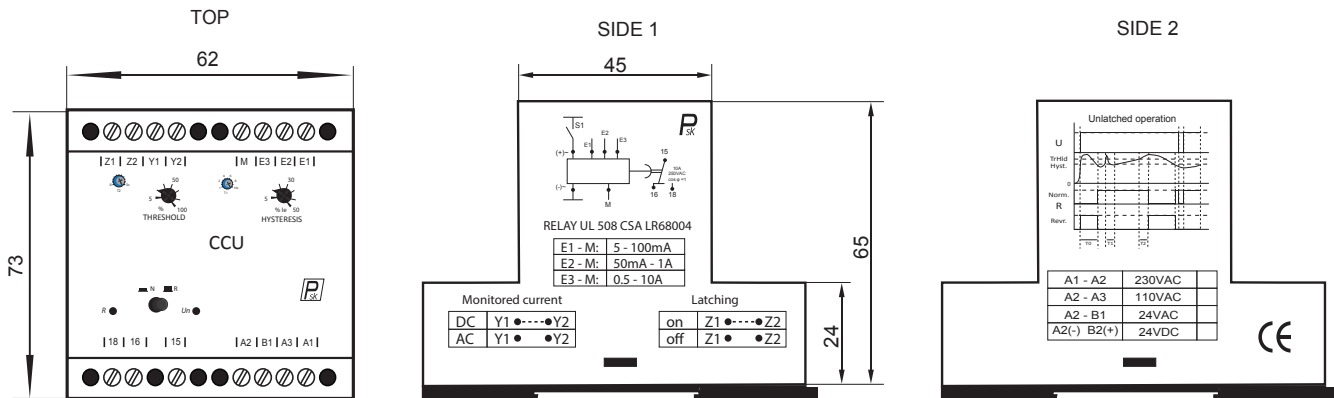
Inputs	AC or DC voltage (ms)	Input resistance	Overload	
			Permanent	peak, less than 1 sec
E1 - M: (5-8)	5 mA - 100 mA	1 Ω	1.5 A	5 A
E2 - M: (6-8)	50 mA - 1 A	0.1 Ω	5 A	10 A
E3 - M: (7-8)	0.5 A - 10 A	0.01 Ω	10 A	15 A

NOTE: Higher AC currents can be controlled using a current transformer.

**Connections**



**Dimensions**



**Ordering information**

CCU — V —	230VAC
	110VAC
	24VAC
	24VDC