

Automatic Main Generator

2016-17

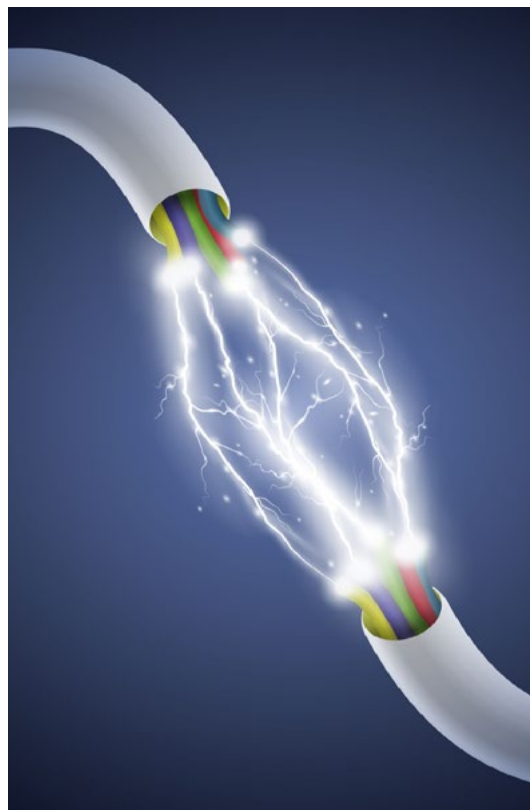
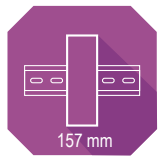
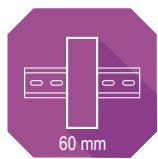
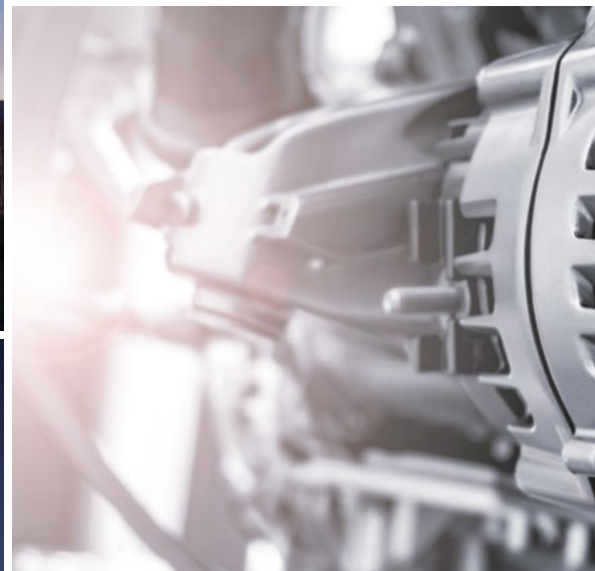


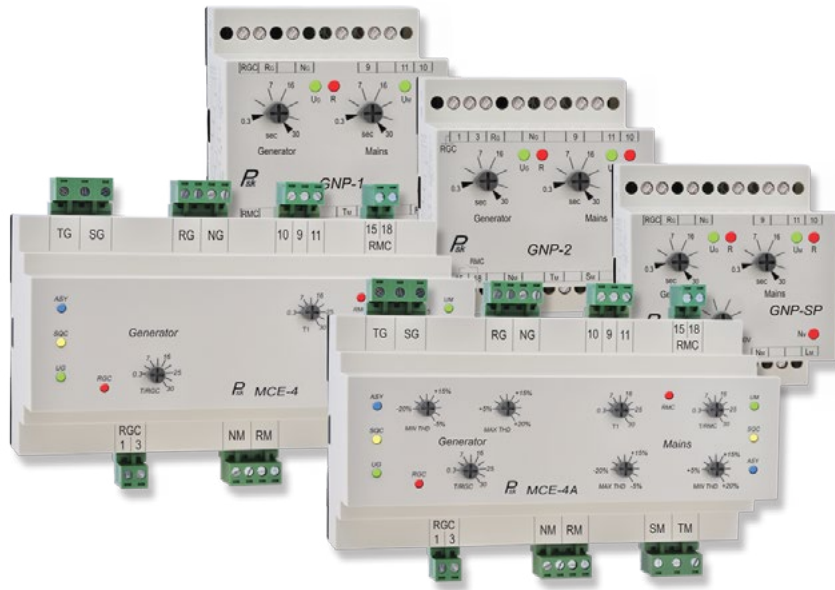
Psk®
Controllers Ltd

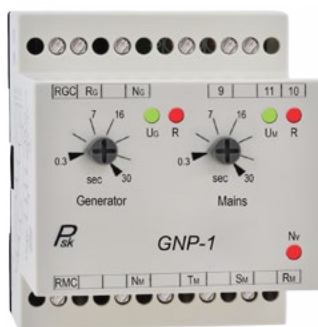
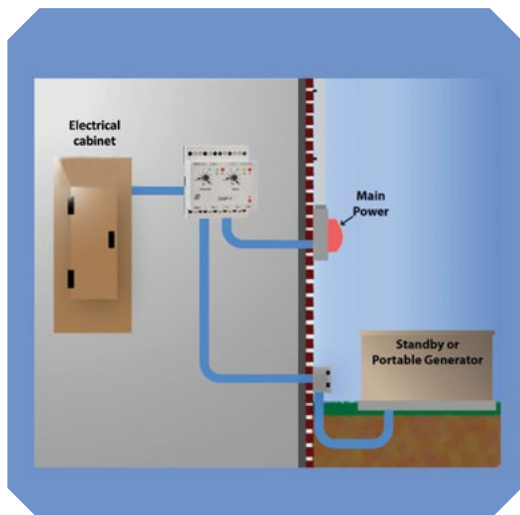
Automatic Main Generators



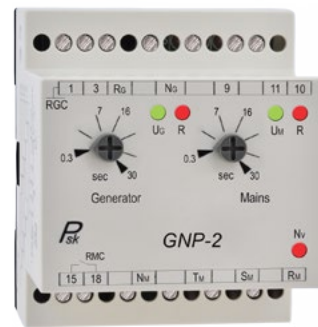
- Low voltage system.
- Industrial automation.
- Alarm system.
- Protection, signalling.
- Lighting system.
- Various other application.



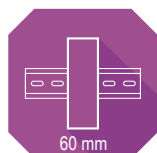




GNP-1



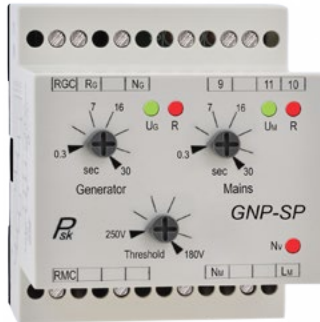
GNP-2



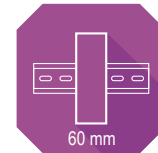
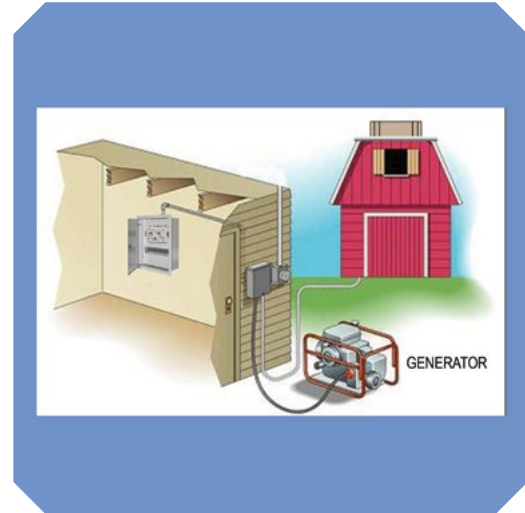
	GNP-1	GNP-2
Operational voltage	3 x 400VAC 50/60Hz	3 x 400VAC 50/60Hz
Switching capacity	8A / 240V COS φ = 1	8A / 240V COS φ = 1
Supervision main	3 Phase	3 Phase
Supervision generator	1 Phase	1 Phase
Output Relay	230VAC	230VAC
Detects sequence	Yes	Yes
Loss of phase	Yes	Yes
Loss of neutral	Yes	Yes
Delayed transition adjusted	Yes	Yes
3% hysteresis insure smooth transfer	Yes	Yes
Device protected against voltage harmonics	Yes	Yes
Dimensions	73 (2.90") x 63 (2.49") x 67 (2.65")	73 (2.90") x 63 (2.49") x 67 (2.65")
Terminals	screw terminals	screw terminals

Auto Main Gen-set

With 1 Phase



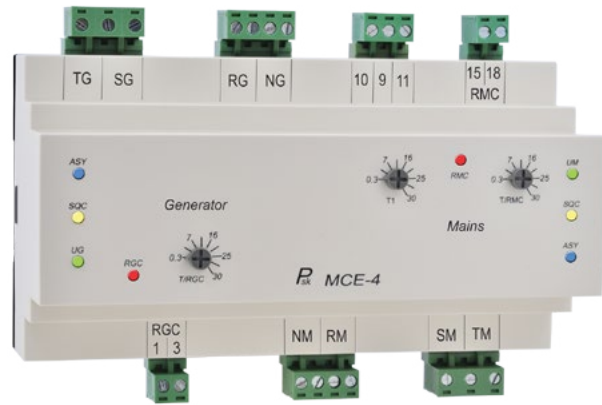
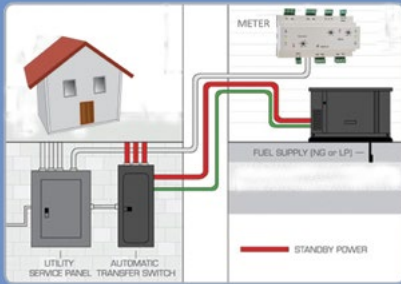
GNP-SP



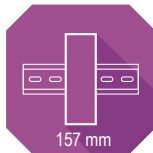
	GNP-SP
Operational voltage	1 x 240VAC 50/60Hz
Switching capacity	8A / 240V COS $\varphi = 1$
Supervision main	1 Phase
Supervision generator	1 Phase
Detects sequence	Yes
Loss of phase	Yes
Loss of neutral	Yes
Delayed transition adjusted	Yes
3% hysteresis insure smooth transfer	Yes
Device protected against voltage harmonics	Yes
Dimensions	73 (2.90") x 63 (2.49") x 67 (2.65")
Terminals	screw terminals

Auto Main Gen-set

Relay output dry contacts

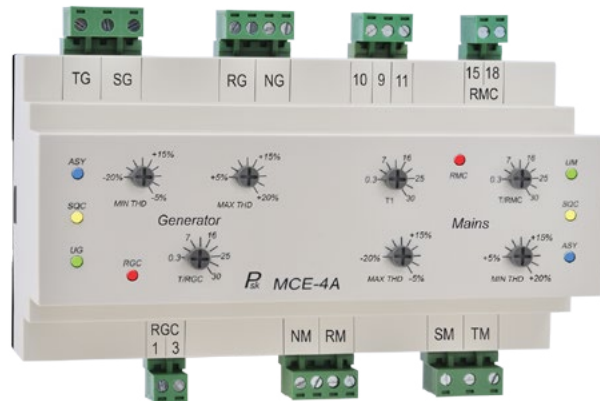


MCE-4



Auto Main Gen-set

Min/Max THD adj relay outputdry contact



MCE-4

	MCE-4	MCE-4A
Operational voltage	3 x 400VAC 50/60Hz	3 x 400VAC 50/60Hz
Switching capacity	8A / 240V COS φ = 1	8A / 240V COS φ = 1
Supervision main	3 Phase	3 Phase
Supervision generator	3 Phase	3 Phase
Output Relay	230VAC	230VAC
Detects sequence	Yes	Yes
Loss of phase	Yes	Yes
Loss of neutral	Yes	Yes
Delayed transition adjusted	Yes	Yes
3% hysteresis insure smooth transfer	Yes	Yes
Device protected against voltage harmonics	Yes	Yes
Dimensions	73 (2.90") x 63 (2.49") x 67 (2.65")	73 (2.90") x 63 (2.49") x 67 (2.65")
Terminals	screw terminals	screw terminals

GNP-SP

Operational voltage: 1 Phase 240VAC 50/60Hz

Rated switching capacity: 8A / 240VAC

GNP-1

Operational voltage:

3 x 400VAC 50/60Hz MAINS

1 x 240VAC 50/60Hz GENERATOR

Rated switching capacity: 8A / 240VAC

GNP-2

Operational voltage:

3 x 400VAC 50/60Hz MAINS

1 x 240VAC 50/60Hz GENERATOR

Rated switching capacity: 8A / 240VAC

MCE-4 with Min/Max THD

Operational voltage:

3 x 400VAC 50/60Hz MAINS

3 x 400VAC 50/60Hz GENERATOR

Rated switching capacity: 8A / 240VAC

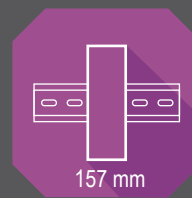
MCE-4A with Min/Max THD adjustment on front panel

Operational voltage:

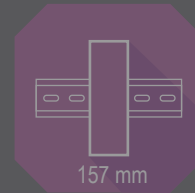
3 x 400VAC 50/60Hz MAINS

3 x 400VAC 50/60Hz GENERATOR

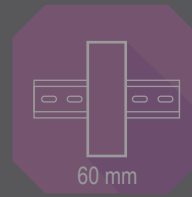
Rated switching capacity: 8A / 240VAC



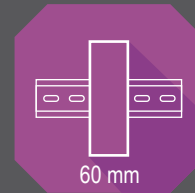
157 mm



157 mm



60 mm



60 mm



PSK Policy

Due to the permanent development policy, all rights reserve to introduce changes of data, characteristic and packages of the products. Devices should be operated by skilled and trained personals in according with the regulations in force to electrical systems. The technical data are of information nature. PSK Controllers Ltd. does not accept any liability for inappropriate use / connection of any of the presented products.

Safety summery

- never touch any live part of the device.
- ensure that the parameters of the product appears in its specification suitable for the application the timer will operate.
- ensure the timer has been connected correctly, an incorrect connection may Cause malfunction, excessive heating risk of fire.
- All safety related regulations, local codes and instructions that appear in the literature or on equipment must be observed to ensure personal safety and to prevent damage to either the instrument or equipment connected to it. If equipment is used in a manner not specified by the manufacturer, the protection provided by the equipment may be impaired.